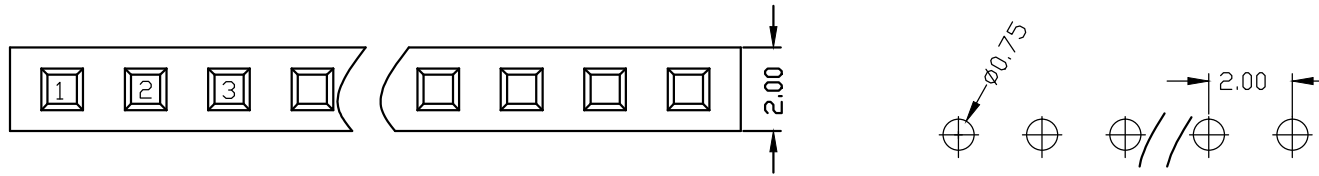


# Specifications

备注(Remark)  
 1. 材料(MATERIAL)  
 胶芯: PA6T+30%G.F UL94V-0, 颜色: 黑色  
 Housing: PA6T+30%G.F UL94V-0, Color: Black  
 端子: 磷/青铜, 镍底30u"MIN, 表面镀金u"MIN  
 Contact: Phosphor bronze, lu"MIN GOLD PLATING OVER ALL  
 30u" MIN NICKEL UNDERPLATING OVER ALL

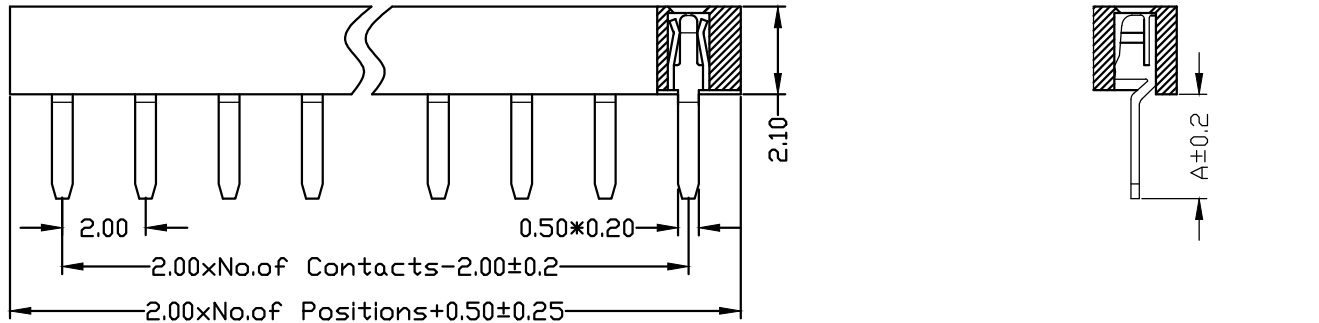
2. 特性 (characteristics):  
 额定电流: 2 AMP  
 Rating Current: 2 AMP.  
 接触阻抗: 20 mΩ MAX.  
 Contact Resistance: 20 mΩ MAX.  
 绝缘阻抗: 1000 MΩ MIN.  
 Insulating Resistance: 1000 MΩ MIN.  
 耐电压: AC 500V.  
 Withstanding Voltage: AC 500V.  
 温度范围: -40°C to+105°C  
 Temperature Range: -40°C to+105°C



# Ordering Information

B0521-11 XX XX X AU X 1

NO. OF PINS	Contact Plating		INSULATOR	PACKING
PER ROW	Full Of Gold	Semi-gold	MATERIAL:	A:PE Bag
2*50P	G0=0.8u"	L0=0.8U"	1:PBT	B:Tape & Reel
	G1=1u"	L1=1U"	2:PA46	C:Tube
	G2=1.5u"	L2=1.5U"	3:PA66	D:Tube+CAP
	G3=2u"	L3=2U"	4:PA6T	E:Tray
	G4=3u"	L4=3U"	5:PA9T	
	G5=5u"	L5=5U"	6:LCP	
	G6=10u"	L6=10U"	7:	
	G7=15u"	L7=15U"		
	G8=20u"	L8=20U"		
	G9=30u"	L9=30U"		
	T1=Ordinary Tin Plated			
	T2=Matte Tin Plated			
	T3=Tin-plated High-temperature			
	T4=high temperature Matt tin			



DIM"A"	2.50
--------	------

REV	DATE	MODIFICATION	DESCRIPTION	CHANGE	APPROVE	OPERATION	SCALE	Fit	苏州瀚牧锦电子有限公司				
						X.X ±0.25	UNIT	MM					
						X.XX ±0.20	SIZE	A4	DESIGN		PART NO.	B0521-11XXXXXAU1	
						X.XXX ±0.10	SHEET	1/1	CHECK		TITLE:	2.00mm 单排母 塑高2.1 180度 U型	
						Angle ±3°	PROJ.	APPROVE		Customer No.			