

Specifications

备注(Remark)

1. 材料(MATERIAL)

胶芯: PA6T/PBT+30%G.F UL94V-0, 颜色: 黑色

Housing: PA6T/PBT+30%G.F UL94V-0, Color: Black

端子: 磷/青铜, 镍底30u"MIN, 表面镀金u"MIN

Contact: Phosphor bronze, 1u"MIN GOLD PLATING OVER ALL
30u" MIN NICKEL UNDERPLATING OVER ALL

2. 特性 (characteristics):

额定电流: 3 AMP

Rating Current: 3 AMP.

接触阻抗: 20 mΩ MAX.

Contact Resistance: 20 mΩ MAX.

绝缘阻抗: 1000 MΩ MIN.

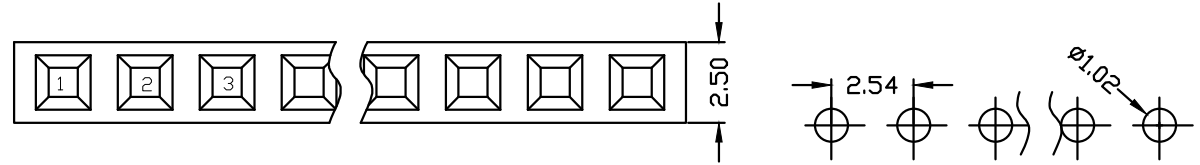
Insulating Resistance: 1000 MΩ MIN.

耐电压: AC 500V.

Withstanding Voltage: AC 500V.

温度范围: -40°C to +105°C

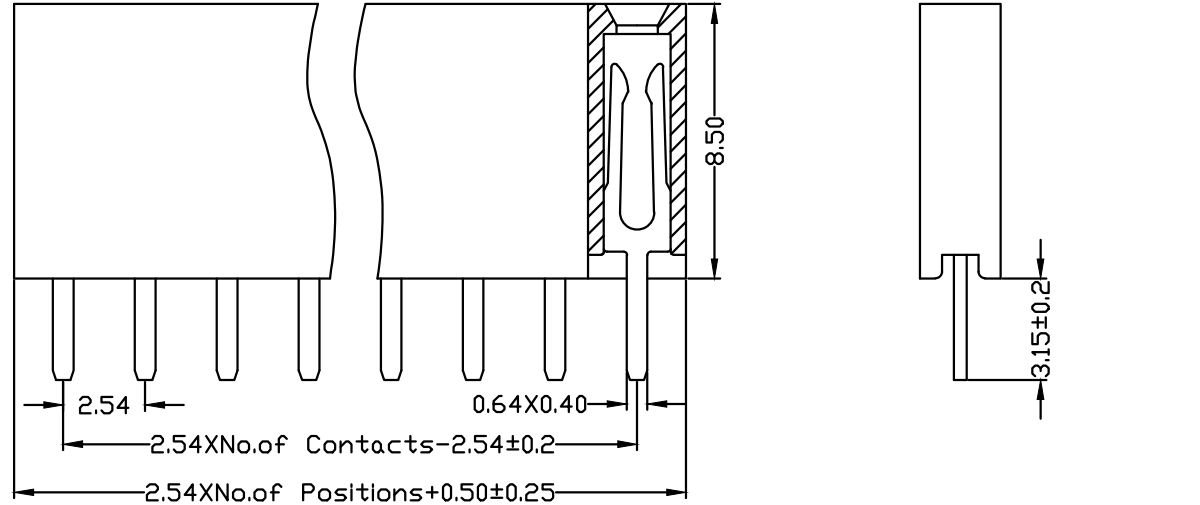
Temperture Range: -40°C to +105°C



Ordering Information

B0785-11 XX XX X AY X 1

NO. OF PINS PER ROW	Contact Plating		INSULATOR	PACKING
2~50P	Full Of Gold	Semi-gold	MATERIAL:	A: PE Bag
	G0=0.8u"	L0=0.8U"	1: PBT	B: Tape & Reel
	G1=1u"	L1=1U"	2: PA46	C: Tube
	G2=1.5u"	L2=1.5U"	3: PA66	D: Tube+CAP
	G3=2u"	L3=2U"	4: PA6T	E: Tray
	G4=3u"	L4=3U"	5: PA9T	
	G5=5u"	L5=5U"	6: LCP	
	G6=10u"	L6=10U"	7:	
	G7=15u"	L7=15U"		
	G8=20u"	L8=20U"		
	G9=30u"	L9=30U"		
	T1=Ordinary Tin Plated			
	T2=Matte Tin Plated			
	T3=Tin-plated High-temperature			
	T4=high temperture Matt tin			



REV	DATE	MODIFICATION	DESCRIPTION	CHANGE	APPROVE	OPERATION	SCALE	Fit	JIANGJI® 苏州江基电子科技有限公司	
						X.X ±0.25	UNIT	MM	SuZhou JiangJi Electronic Technology CO. LTD	
						X.XX ±0.20	SIZE	A4	DESIGN	PART NO. B0785-11XXXXAYX1
						X.XXX ±0.10	SHEET	1/1	CHECK	TITLE: 2.54mm 单排母 塑高8.5 180度 Y型
						Angle ±3°	PROJ.	APPROVE	Customer No.	