

# Specifications

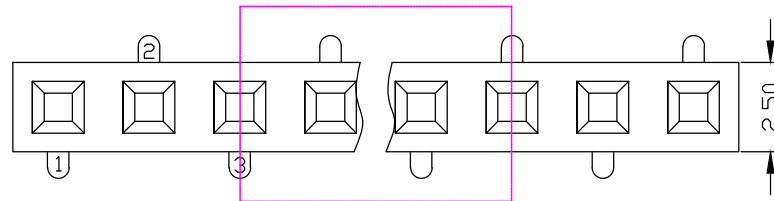
## 备注 (Remark)

### 1. 材料 (MATERIAL)

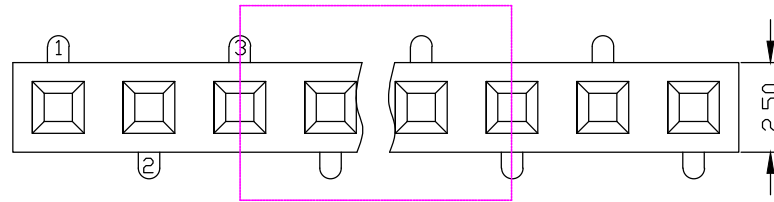
胶芯: PA6T +30%G. F UL94V-0, 颜色: 黑色.  
 Housing: PA6T +30%G. F UL94V-0, Color: Black  
 端子: 磷/青铜, 镍底30u"MIN, 表面镀金1u"MIN  
 Contact: Phosphor bronze, 1u"MIN GOLD PLATING OVER ALL  
 30u" MIN NICKEL UNDERPLATING OVER ALL

### 2. 特性 (characteristics):

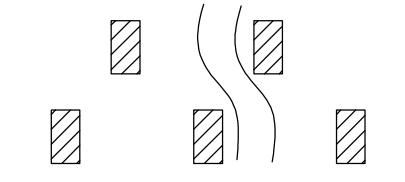
额定电流: 3 AMP  
 Rating Current: 3 AMP.  
 接触阻抗: 20 mΩ MAX.  
 Contact Resistance: 20 mΩ MAX.  
 绝缘阻抗: 1000 MΩ MIN.  
 Insulating Resistance: 1000 MΩ MIN.  
 耐电压: AC 500V.  
 Withstanding Voltage: AC 500V.  
 温度范围: -40° C to +105° C  
 Temperature Range: -40° C to +105° C



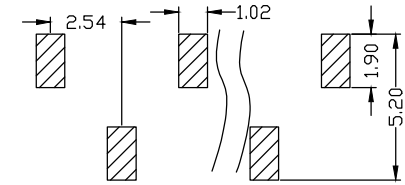
TYPE 1



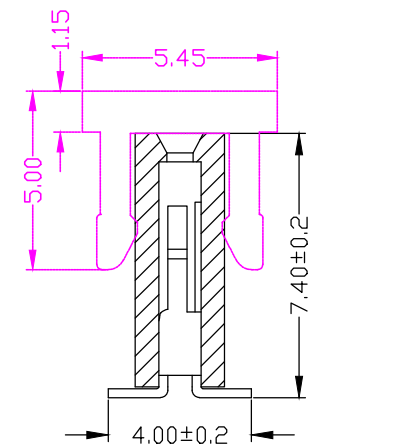
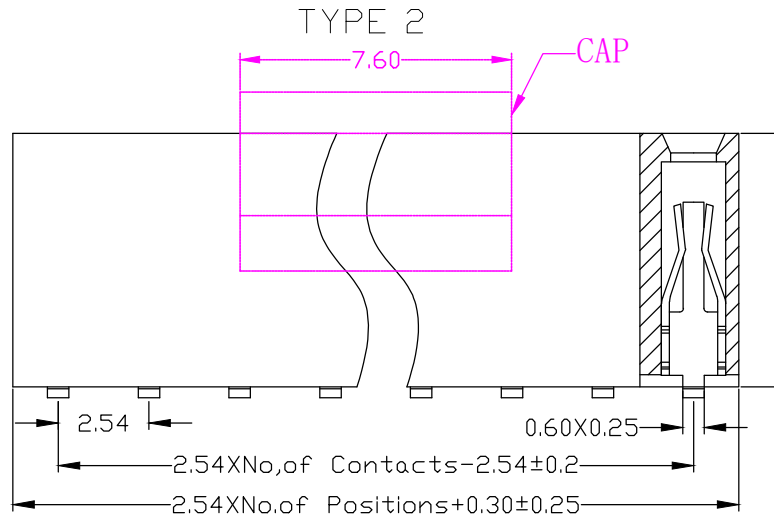
TYPE 2



TYPE 1



TYPE 2



## Ordering Information

B0771-11 XX XX X CU X 1

NO. OF PINS PER ROW	Contact Plating	INSULATOR MATERIAL:	PACKING
2~50P	Full Of Gold	1: PBT	A: PE Bag
	G0=0.8u"	2: PA46	B: Tape & Reel
	G1=1u"	3: PA66	C: Tube
	G2=1.5u"	4: PA6T	D: Tube+CAP
	G3=2u"	5: PA9T	E: Tray
	G4=3u"	6: LCP	
	G5=5u"	7:	
	G6=10u"		
	G7=15u"		
	G8=20u"		
	G9=30u"		
	T1=Ordinary Tin Plated		
	T2=Matte Tin Plated		
	T3=Tin-plated High-temperature		
	T4=high temperature Matt tin		

REV	DATE	MODIFICATION	DESCRIPTION	CHANGE	APPROVE	OPERATION	SCALE	Fit	JIANGJI® 苏州江基电子科技有限公司	
						X.X ±0.25	UNIT	MM	SuZhou JiangJi Electronic Technology CO. LTD	
						X.XX ±0.20	SIZE	A4	DESIGN	PARI NO.
						X.XXX ±0.10	SHEET	1/1	CHECK	B0771-11XXXXCUX1
						Angle ±3°	PROJ.	APPROVE	TITLE:	2.54mm 单排母 塑高7.1 SMT
						DIM			Customer No.	