

# Specifications

备注 (Remark)

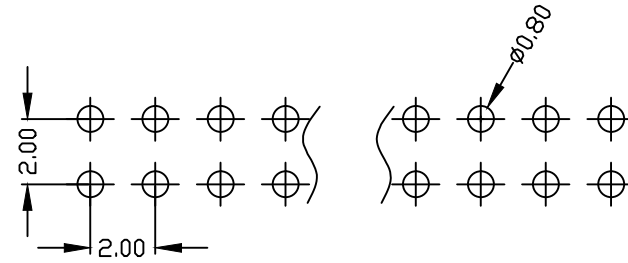
1. 材料 (MATERIAL)

胶芯: PA6T+30%G.F UL94V-0, 颜色: 黑色.

Housing: PA6T+30%G.F UL94V-0, Color: Black

端子: 磷/青铜, 镍底30u"MIN, 表面镀金1u"MIN

Contact: Phosphor bronze, 1u"MIN GOLD PLATING OVER ALL  
30u" MIN NICKEL UNDERPLATING OVER ALL



2. 特性 (characteristics):

额定电流: 2 AMP

Rating Current: 2 AMP.

接触阻抗: 20 mΩ MAX.

Contact Resistance: 20 mΩ MAX.

绝缘阻抗: 1000 MΩ MIN.

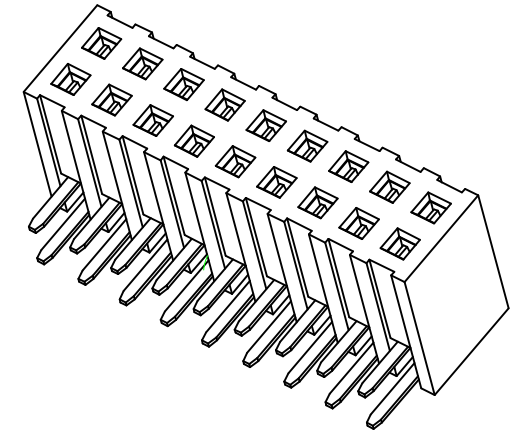
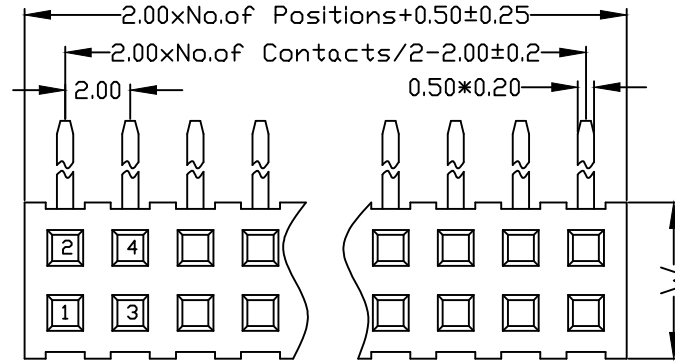
Insulating Resistance: 1000 MΩ MIN.

耐电压: AC 500V.

Withstanding Voltage: AC 500V.

温度范围: -40° C to +105° C

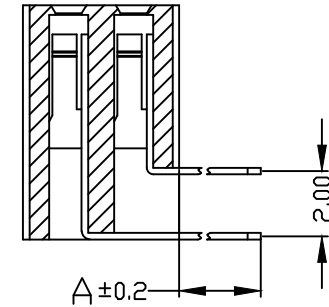
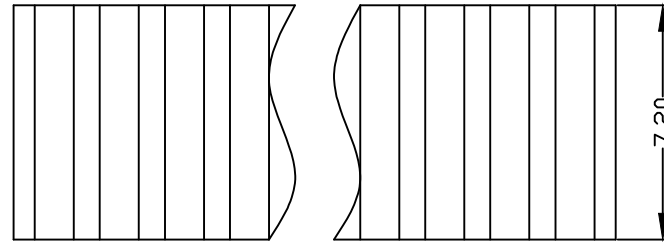
Temperature Range: -40° C to +105° C



## Ordering Information

B0572-12 XX XX X BU X X

NO. OF PINS PER ROW	Contact Plating	INSULATOR	PACKING
2~50P	Full Of Gold	MATERIAL:	A: PE Bag
	G0=0.8u"	1: PBT	B: Tape & Reel
	G1=1u"	2: PA46	C: Tube
	G2=1.5u"	3: PA66	D: Tube+CAP
	G3=2u"	4: PA6T	E: Tray
	G4=3u"	5: PA9T	
	G5=5u"	6: LCP	
	G6=10u"	7:	
	G7=15u"		
	G8=20u"		
	G9=30u"		
	T1=Ordinary Tin Plated		
	T2=Matte Tin Plated		
	T3=Tin-plated High-temperature		
	T4=high temperature Matt tin		



DIM"W"	DIM"A"
4.00	2.50
4.85	2.80

REV	DATE	MODIFICATION	DESCRIPTION	CHANGE	APPROVE	OPERATION	SCALE	Fit	JIANGJI® 苏州江基电子科技有限公司	
						X.X ±0.25	UNIT	MM	SuZhou JiangJi Electronic Technology CO. LTD	
						X.XX ±0.20	SIZE	A4	DESIGN	PART NO.
						X.XXX ±0.10	SHEET	1/1	CHECK	B0572-12XXXXXBUX
						Angle ±3°	PROJ.	APPROVE	TITLE:	2.00mm 双排母 塑高7.2 90度 U型
						DIM			Customer No.	