

Specifications

备注 (Remark)

1. 材料 (MATERIAL)

胶芯: PA6T+30%G.F UL94V-0, 颜色: 黑色.

Housing: PA6T+30%G.F UL94V-0, Color: Black

端子: 磷/青铜, 镍底30u"MIN, 表面镀金1u"MIN

Contact: Phosphor bronze, 1u"MIN GOLD PLATING OVER ALL
30u" MIN NICKEL UNDERPLATING OVER ALL

2. 特性 (characteristics):

额定电流: 2 AMP

Rating Current: 2 AMP.

接触阻抗: 20 mΩ MAX.

Contact Resistance: 20 mΩ MAX.

绝缘阻抗: 1000 MΩ MIN.

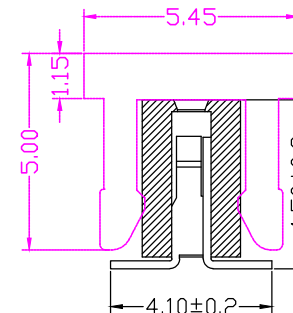
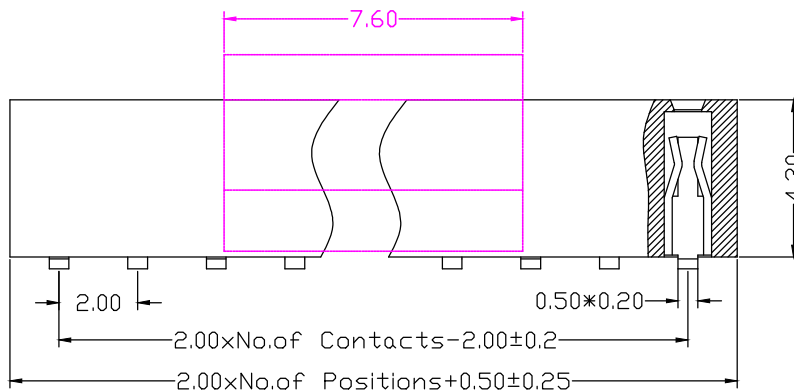
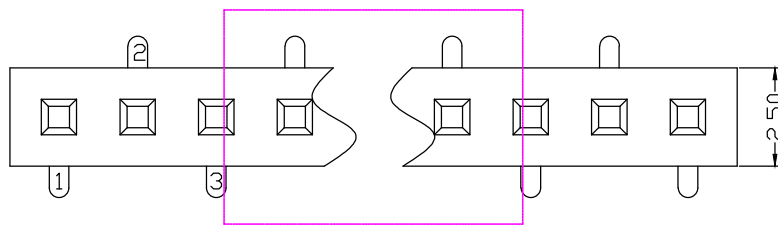
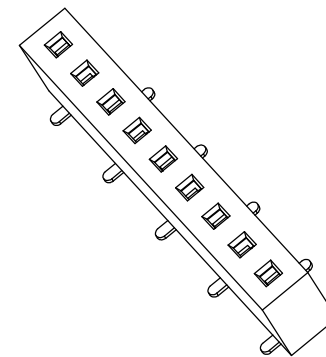
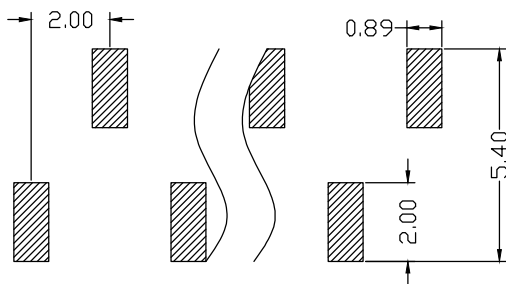
Insulating Resistance: 1000 MΩ MIN.

耐电压: AC 500V.

Withstanding Voltage: AC 500V.

温度范围: -40° C to +105° C

Temperature Range: -40° C to +105° C



Ordering Information

B0543-11 XX XX X CU X 1

NO. OF PINS	Contact Plating		INSULATOR	PACKING
PER ROW	Full Of Gold	Semi-gold	MATERIAL:	A: PE Bag
2"50P	G0=0.8u"	L0=0.8U"	1: PBT	B: Tape & Reel
	G1=1u"	L1=1U"	2: PA46	C: Tube
	G2=1.5u"	L2=1.5U"	3: PA66	D: Tube+CAP
	G3=2u"	L3=2U"	4: PA6T	E: Tray
	G4=3u"	L4=3U"	5: PA9T	
	G5=5u"	L5=5U"	6: LCP	
	G6=10u"	L6=10U"	7:	
	G7=15u"	L7=15U"		
	G8=20u"	L8=20U"		
	G9=30u"	L9=30U"		
	T1=Ordinary Tin Plated			
	T2=Matte Tin Plated			
	T3=Tin-plated High-temperature			
	T4=high temperature Matt tin			

				OPERATION		SCALE		Fit		JIANGJI® 苏州江基电子科技有限公司 SuZhou JiangJi Electronic Technology CO. LTD	
				X.X	±0.25	UNIT		MM			
				X.XX	±0.20	SIZE	A4	DESIGN	PART NO.		B0543-11XXXXXCUX1
				X.XXX	±0.10	SHEET	1/1	CHECK	TITLE:		2.00mm 单排母 塑高4.3 SMT U型 正脚位
REV	DATE	MODIFICATION	DESCRIPTION	CHANGE	APPROVE	PROJ.	APPROVE	Customer No.			