

Specifications

备注(Remark)

1. 材料(MATERIAL)

胶芯: PA6T+30%G.F UL94V-0, 颜色: 黑色

Housing: PA6T+30%G.F UL94V-0, Color: Black

端子: 磷铜, 镍底30u"MIN, 表面镀金u"MIN

Contact: Phosphor ,u"MIN GOLD PLATING OVER ALL
30u" MIN NICKEL UNDERPLATING OVER ALL

2. 特性 (characteristics):

额定电流: 1 AMP

Raring Current: 1 AMP.

接触阻抗: 20 mΩ MAX.

Contact Resistance: 20 mΩ MAX.

绝缘阻抗: 1000 MΩ MIN.

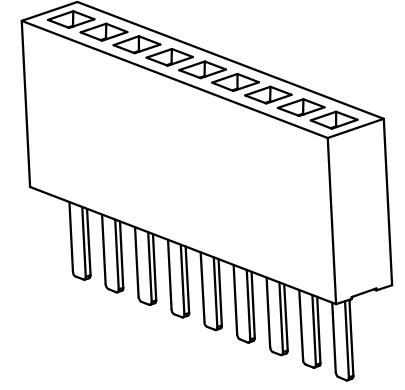
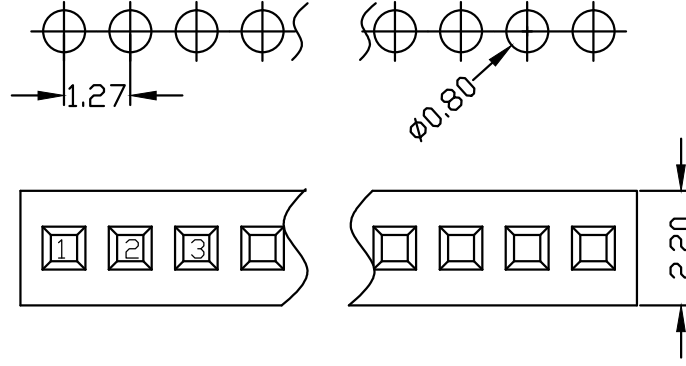
Insulating Resistance: 1000 MΩ MIN.

耐电压: AC 500V.

Withstanding Voltage: AC 500V.

温度范围: -40°C to+105°C

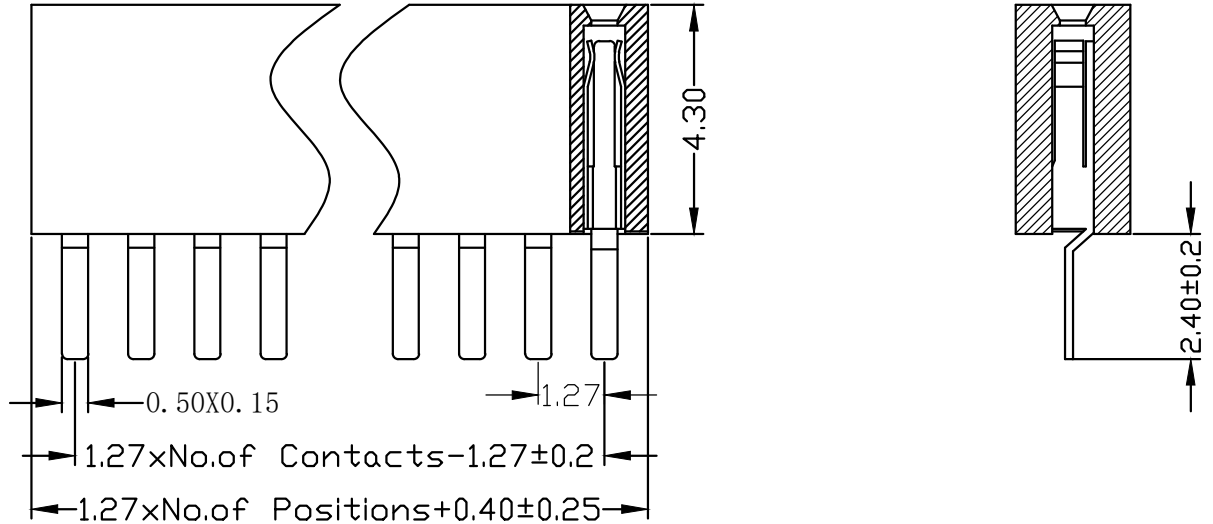
Temperture Range: -40°C to+105°C



Ordering Information

B0343-11 XX XX X AU X 1

NO. OF PINS PER ROW	Contact Plating		INSULATOR MATERIAL:	PACKING
2~50P	Full Of Gold	Semi-gold	1:PBT	A:PE Bag
	G0=0.8u"	L0=0.8U"	2:PA46	B:Tape & Reel
	G1=1u"	L1=1U"	3:PA66	C:Tube
	G2=1.5u"	L2=1.5U"	4:PA6T	D:Tube+CAP
	G3=2u"	L3=2U"	5:PA9T	E:Tray
	G4=3u"	L4=3U"	6:LCP	
	G5=5u"	L5=5U"	7:	
	G6=10u"	L6=10U"		
	G7=15u"	L7=15U"		
	G8=20u"	L8=20U"		
	G9=30u"	L9=30U"		
	T1=Ordinary Tin Plated			
	T2=Matte Tin Plated			
	T3=Tin-plated High-temperature			
	T4=high temperture Matt tin			



REV	DATE	MODIFICATION	DESCRIPTION	CHANGE	APPROVE	OPERATION	SCALE	Fit	DESIGN	PARI NO.
						X.X ±0.25	UNIT	MM		B0343-11XXXXXAU1
						X.XX ±0.20	SIZE	A4	CHECK	TITLE: 1.27mm 单排母 塑高4.3 180度 U型
						X.XXX ±0.10	SHEET	1/1	APPROVE	Customer No.
						Angle ±3°	PROJ.			