

Specifications

备注(Remark)

1.材料(MATERIAL)

胶芯: PA6T+30%G.F UL94V-0, 颜色: 黑色.

Housing: PA6T+30%G.F UL94V-0, Color: Black

端子: 磷铜, 镍底30u"MIN, 表面镀金u"MIN

Contact: Phosphor, 1u"MIN GOLD PLATING OVER ALL

30u" MIN NICKEL UNDERPLATING OVER ALL

2.特性 (characteristics):

额定电流: 1 AMP

Rating Current: 1 AMP.

接触阻抗: 20 mΩ MAX.

Contact Resistance: 20 mΩ MAX.

绝缘阻抗: 1000 MΩ MIN.

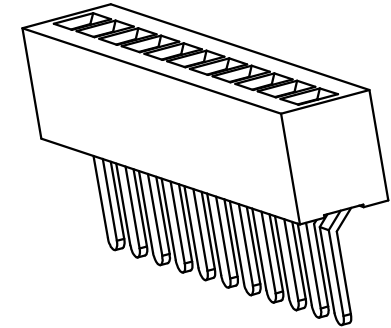
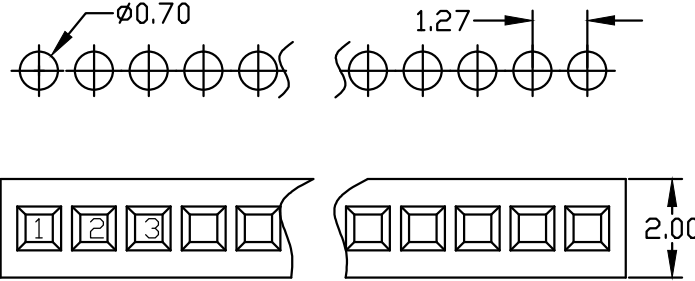
Insulating Resistance: 1000 MΩ MIN.

耐电压: AC 500V.

Withstanding Voltage: AC 500V.

温度范围: -40°C to +105°C

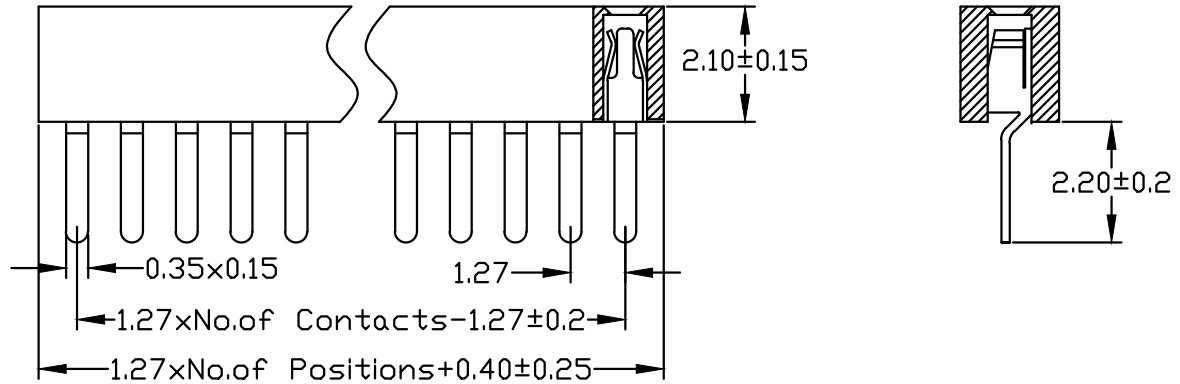
Temperature Range: -40°C to +105°C



Ordering Information

B0321-11 XX XX X AU X 1

NO. OF PINS PER ROW	Contact Plating	INSULATOR MATERIAL:	PACKING
2~50P	Full Of Gold	1: PBT	A: PE Bag
	Semi-gold	2: PA46	B: Tape & Reel
		3: PA66	C: Tube
		4: PA6T	D: Tube+CAP
		5: PA9T	E: Tray
		6: LCP	
		7:	
	T1=Ordinary Tin Plated		
	T2=Matte Tin Plated		
	T3=Tin-plated High-temperature		
	T4=high temperature Matt tin		



				OPERATION		SCALE		Fit		JIANGJI® 苏州江基电子科技有限公司 SuZhou JiangJi Electronic Technology CO.LTD	
				X.X	±0.25	UNIT		MM			
				X.XX	±0.20	SIZE	A4	DESIGN	PART NO.		B0321-11XXXXXAU1
				X.XXX	±0.10	SHEET	1/1	CHECK	TITLE:		1.27mm 单排母 塑高2.1 180度 U型
REV	DATE	MODIFICATION	DESCRIPTION	CHANGE	APPROVE	DIM	TOL	PROJ.	APPROVE	Customer No.	