

# Specifications

备注 (Remark)

1. 材料 (MATERIAL)

胶芯: LCP+30%G. F UL94V-0, 颜色: 黑色.

Housing: LCP+30%G. F UL94V-0, Color: Black

端子: 磷/青铜, 镍底30u"MIN, 表面镀金1u"MIN

Contact: Phosphor bronze, 1u"MIN GOLD PLATING OVER ALL  
30u" MIN NICKEL UNDERPLATING OVER ALL

2. 特性 (characteristics):

额定电流: 1 AMP

Rating Current: 1 AMP.

接触阻抗: 20 mΩ MAX.

Contact Resistance: 20 mΩ MAX.

绝缘阻抗: 1000 MΩ MIN.

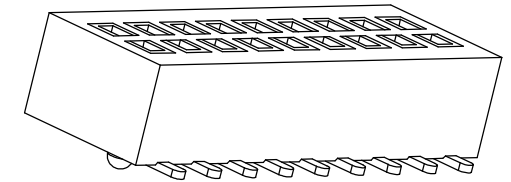
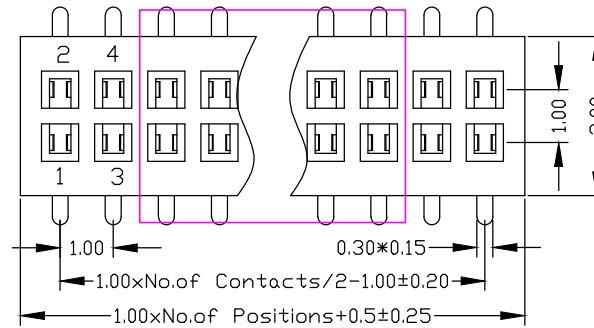
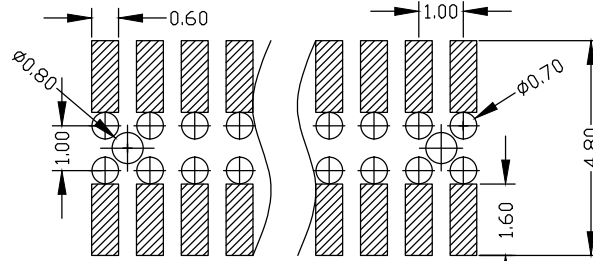
Insulating Resistance: 1000 MΩ MIN.

耐电压: AC 500V.

Withstanding Voltage: AC 500V.

温度范围: -40° C to +105° C

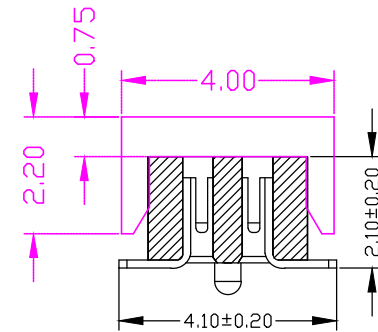
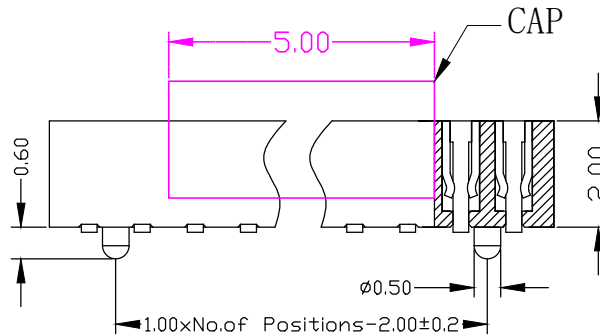
Temperature Range: -40° C to +105° C



## Ordering Information

B0220-12 XX XX X CC X 2

NO. OF PINS PER ROW	Contact Plating	INSULATOR	PACKING
2~50P	Full Of Gold	MATERIAL:	A: PE Bag
	G0=0.8u"	L0=0.8U"	1: PBT
	G1=1u"	L1=1U"	2: PA46
	G2=1.5u"	L2=1.5U"	3: PA66
	G3=2u"	L3=2U"	4: PA6T
	G4=3u"	L4=3U"	5: PA9T
	G5=5u"	L5=5U"	6: LCP
	G6=10u"	L6=10U"	7:
	G7=15u"	L7=15U"	
	G8=20u"	L8=20U"	
	G9=30u"	L9=30U"	
	T1=Ordinary Tin Plated		
	T2=Matte Tin Plated		
	T3=Tin-plated High-temperature		
	T4=high temperature Matt tin		



OPERATION		SCALE		Fit	
X.X	±0.25	UNIT		MM	
X.XX	±0.20	SIZE	A4	DESIGN	
X.XXX	±0.10	SHEET	1/1	CHECK	
Angle	±3°	PROJ.		APPROVE	
DIM	TOL				

**JIANGJI**® 苏州江基电子科技有限公司  
SuZhou JiangJi Electronic Technology CO. LTD

REV	DATE	MODIFICATION	DESCRIPTION	CHANGE	APPROVE	DESIGN	CHECK	APPROVE	PART NO.	Customer No.
									B0220-12XXXXCCX2	
									TITLE:	1.00mm 双排母 塑高2.0 SMT 带柱 上插式