

Specifications

备注 (Remark)

1. 材料 (MATERIAL)

胶芯: PA6T+30%G.F UL94V-0, 颜色: 黑色.

Housing: PA6T+30%G.F UL94V-0, Color: Black

端子: 磷/青铜, 镍底30u"MIN, 表面镀金1u"MIN

Contact: Phosphor bronze, 1u"MIN GOLD PLATING OVER ALL
30u" MIN NICKEL UNDERPLATING OVER ALL

2. 特性 (characteristics):

额定电流: 1 AMP

Rating Current: 1 AMP.

接触阻抗: 20 mΩ MAX.

Contact Resistance: 20 mΩ MAX.

绝缘阻抗: 1000 MΩ MIN.

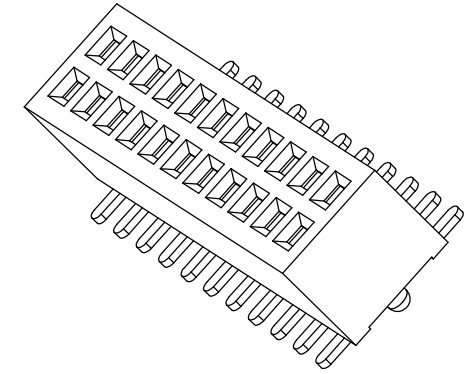
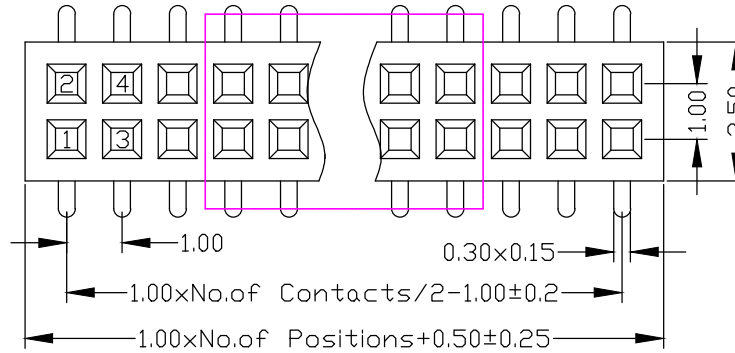
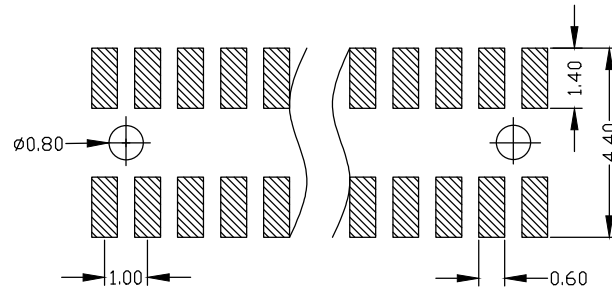
Insulating Resistance: 1000 MΩ MIN.

耐电压: AC 500V.

Withstanding Voltage: AC 500V.

温度范围: -40° C to +105° C

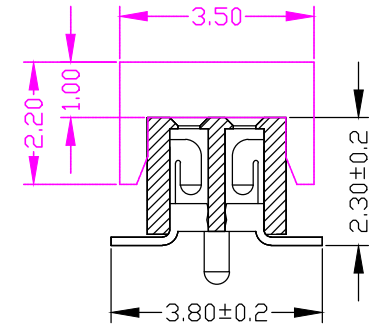
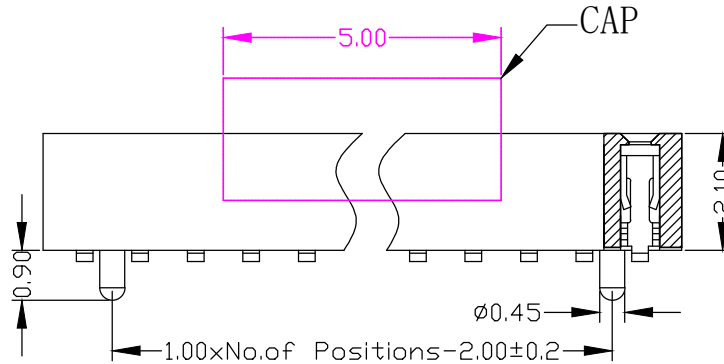
Temperature Range: -40° C to +105° C



Ordering Information

B0221-12 XX XX X CU X 2

NO. OF PINS PER ROW	Contact Plating		INSULATOR MATERIAL:	PACKING
2~50P	Full Of Gold	Semi-gold		
G0=0.8u"	L0=0.8U"		1: PBT	A: PE Bag
G1=1u"	L1=1U"		2: PA46	B: Tape & Reel
G2=1.5u"	L2=1.5U"		3: PA66	C: Tube
G3=2u"	L3=2U"		4: PA6T	D: Tube+CAP
G4=3u"	L4=3U"		5: PA9T	E: Tray
G5=5u"	L5=5U"		6: LCP	
G6=10u"	L6=10U"		7:	
G7=15u"	L7=15U"			
G8=20u"	L8=20U"			
G9=30u"	L9=30U"			
	T1=Ordinary Tin Plated			
	T2=Matte Tin Plated			
	T3=Tin-plated High-temperature			
	T4=high temperature Matt tin			



				OPERATION		SCALE		Fit		JIANGJI® 苏州江基电子科技有限公司	
				X.X	±0.25	UNIT		MM		SuZhou JiangJi Electronic Technology CO. LTD	
				X.XX	±0.20	SIZE	A4	DESIGN	PART NO.		B0221-12XXXXXCUX2
				X.XXX	±0.10	SHEET	1/1	CHECK	TITLE:		1.00mm 双排母 塑高2.1 SMT 带柱 U型
REV	DATE	MODIFICATION	DESCRIPTION	CHANGE	APPROVE	Angle	±3°	PROJ.	APPROVE	Customer No.	
						DIM	TOL				